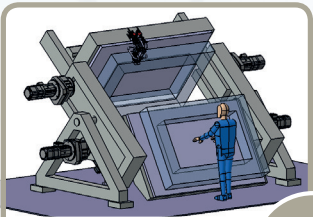


Ergonomics calls for innovation

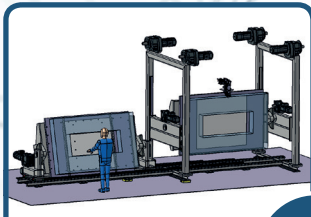
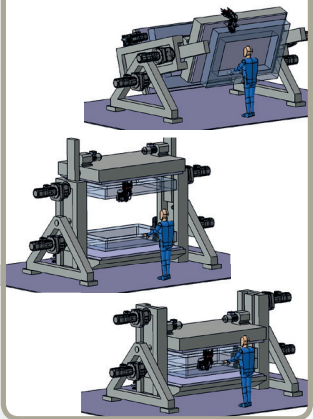
Concepts for mold carrier systems with a carrier plate depth of more than 1200mm



K1

Horizontal encapsulation, tower tilting

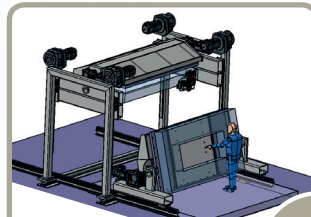
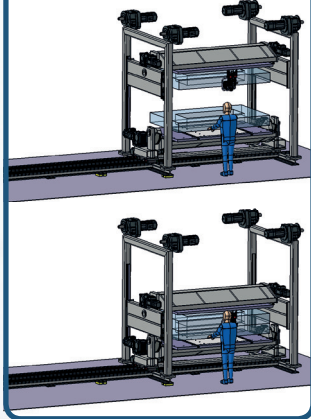
A well-established system now offering more freedom of movement



K2

Horizontal encapsulation, moving sideways

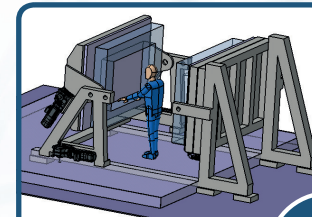
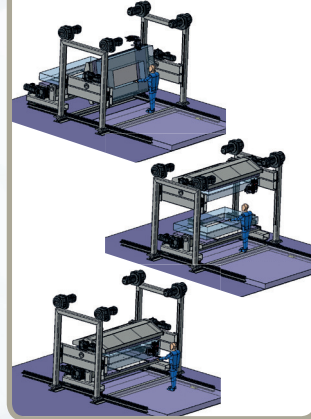
Side by side and everything visible at a glance



K3

Horizontal encapsulation, moving forwards and backwards

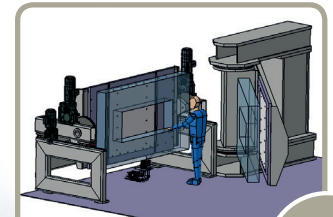
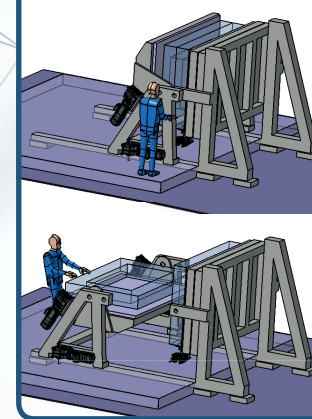
The carrier covers the distance, the operator has got his space



K4

Vertical encapsulation, opening horizontally

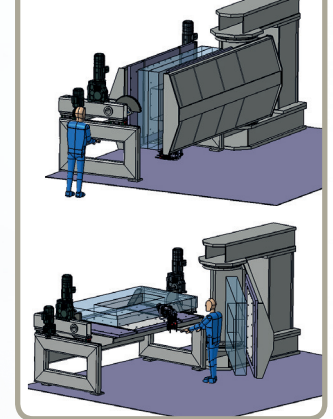
Compact and having proved its reliability millions of times in thermoplastic applications



K5

Vertical encapsulation, hinged mechanism for opening and closing

A new level of freedom thanks to very short distances





BBG GmbH & Co. KG
Mindelheim, Germany



BBG North America LP
Oxford, USA



BBG Asia Ltd.
Changchun & Shanghai, China

3 Continents



**100%
Performance**



1 Partner

BBG

Competence to the details

